

LG Plasma Flood

1000W comparable to 2000W HID

Super-efficient plasma technology.
Light level unchanged for 50,000+ hours.



Powerful plasma light output

- 85,000 lumens output.

Higher lumens, longer

- Electrode-free lumen maintenance.
- Maintains brightness for 50,000+ hours.

Outstanding energy efficiency

- Reduces power usage by 50% compared to conventional lighting.

Rugged and weatherproof

- Resistant to shock and vibration.
- Rated IP54 for outdoor use.

High colour-rendering light

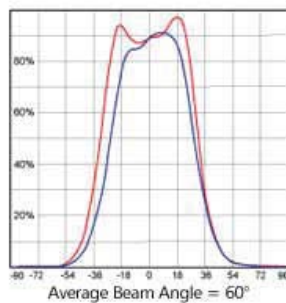
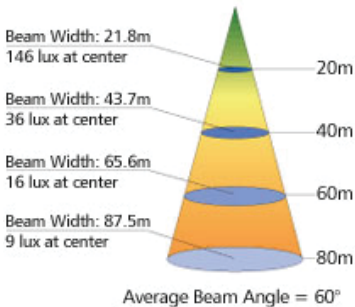
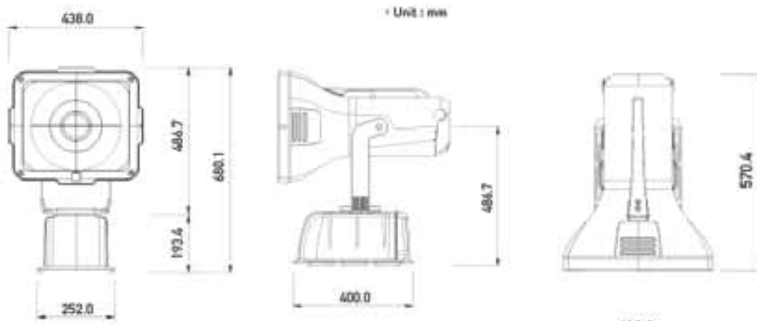
- Turns night into realistic daylight

Environmentally superior

- No mercury, no heavy metals in any part of lifecycle. [RoHS and WEEE.]



Full-spectrum light - the closest to true sunlight, without the UV!



Applications

- Powerful floodlighting for large carparks and substantial pedestrian areas
- Sporting fields, landscapes and large-scale architectural illumination

Technical parameters

| | |
|------------------------------|-------------------|
| Product code | PSF1032A |
| Power consumption | 1030W |
| Metal halide equivalent | 2000W |
| Lumen output | 85,000 |
| Input voltage | 220/240V, 50/60Hz |
| Colour rendering index (CRI) | 85Ra |
| Beam angle | 60 degrees |
| Colour temperature | 7500 °K |
| IP rating | IP 54 |
| Service life | 50,000+hours |
| Weight | 22.0 kg |

bellingensolar

Call 1300 558 043 or 6655 9266
 1-3 Church Street Bellingin
www.bellingensolar.com.au